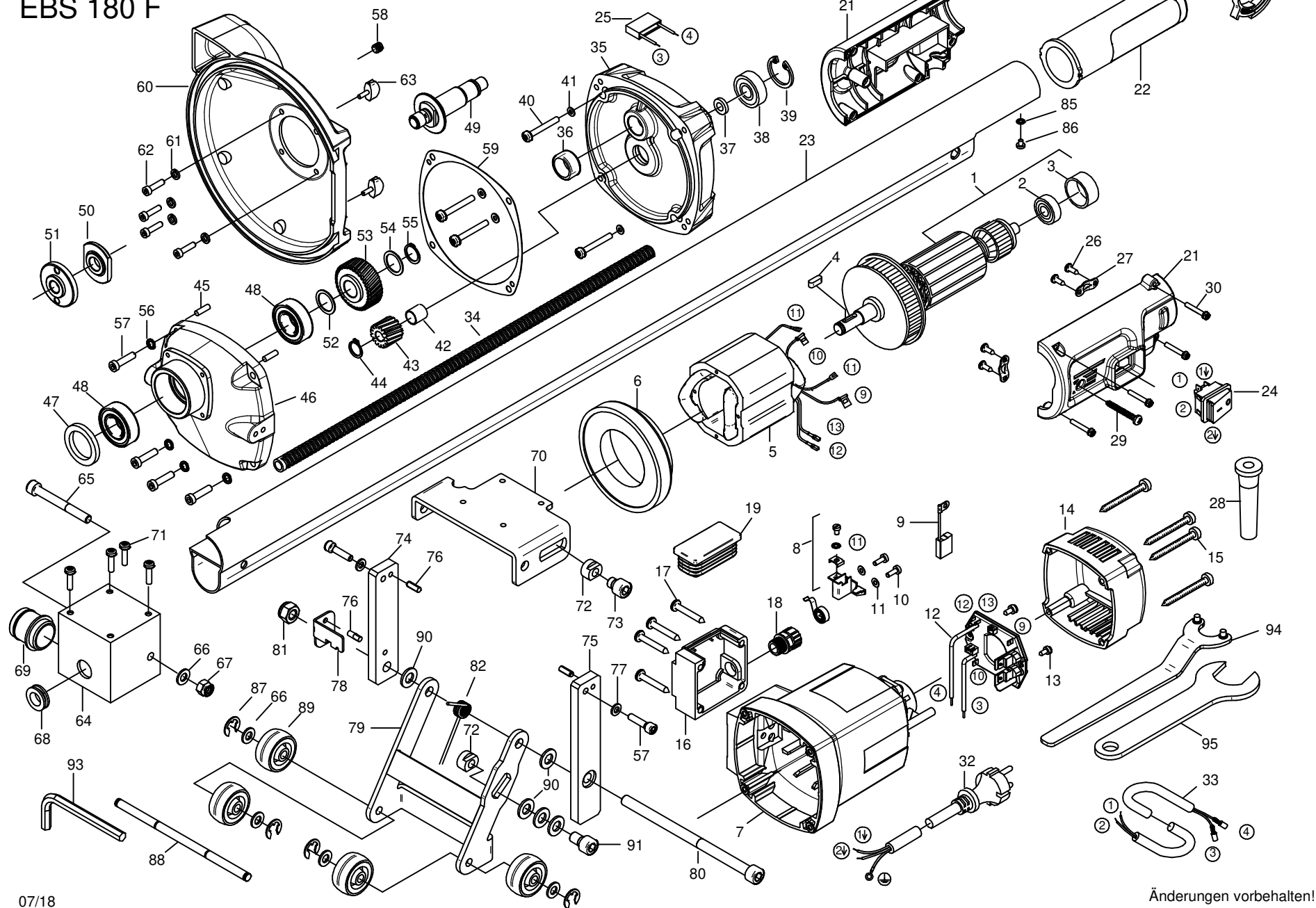




EBS 180 F



0634H000 - EBS_180_F Version: 01

from year of manufacture 2018

Pos.	Description	Item No.	pc.	Pos.	Description	Item No.	pc.
1	Rotor, compl. 230V	76330100	1	50	Mounting flange	76301410	1
2	Grooved ball bearing 6000 2Z	80410021	1	51	Flange nut	76301405	1
3	Bearing cap	83000031	1	52	Shim ring 20x28x0,2	80200511	1
4	Parallel key 4x4x14	80200629	1	53	Spindle wheel	76330430	1
5	Stator, compl. 230V	73R61150	1	54	Shim ring 17x24x0,5	80200508	1
6	Air guiding ring	73511141	1	55	Retaining ring 17x1	80201323	1
7	Motor housing	80900042	1	56	Lock washer S6	80201362	4
8	Brush holder, compl.	80201199	2	57	Screw M6x25	80201125	6
9	Carbon brush 6,3x16x20	80700019	2	58	Threaded pin M8x8	80200756	1
10	Screw M4x12	80201180	4	59	Gearbox seal	82000064	1
11	Spring washer 4	80201385	4	60	Suction hood	7633H575	1
12	Printed circuit board 230V	76330280	1	61	Spring lock washer 5	80201302	4
13	Screw 4,2x9,5	80201269	2	62	Screw M5x18	80201409	4
14	Cap	80900082	1	63	Wing screw M4x10	80201407	2
15	Screw 4,8x45	80201267	4	64	Holding fixture	7634H670	1
16	Switch box	7442G630	1	65	Screw M8x70	80201167	1
17	Screw 5,5x38	80201292	4	66	Washer 8,4	80201377	5
18	Fitting	80600180	1	67	Nut M8	80201221	3
19	Plug	80900249	1	68	Cable grommet HV1305	83000051	1
20	Suction hose	7634H590	1	69	Suction nozzle	7634H595	1
21	Housing	7634H26U	1	70	Angle	85000294	1
22	Handle	7620L253	1	71	Screw 5x20	80201489	4
23	Guide bar	7634H250	1	72	Sliding block	7634H678	2
24	Switch	80600515	1	73	Screw M10x12	80201474	1
25	Capacitor	80500010	1	74	Fastener 1	7634H815	1
26	Screw 4,2x13	80201270	4	75	Fastener 2	7634H820	1
27	Wire locking flange	85000020	2	76	Grooved pin 5x16	80200580	3
28	Cable grommet	83000004	1	77	Washer 6,4	80201375	2
29	Screw 5x30	80201411	1	78	Spring stop	7634H830	1
30	Screw 4x25	80201412	5	79	Roll mounting	7634H840	1
31	Hose clamp	83000510	1	80	Screw M10x170	80201548	1
32	Connecting cable 3x1,5mm ² , 5m	7634H345	1	81	Nut M10	80201034	1
33	Intermediate cable	7634L340	1	82	Torsion spring	7634H603	1
34	Hose	7634H257	1	85	Tooth lock washer 4,3	80200752	1
35	End shield of gearing	76330610	1	86	Screw M4x6	80201200	1
36	Needle sleeve HK1212	80420130	1	87	Locking bolt 7	80201486	4
37	Shaft seal 15x21x3	83000042	1	88	Axle	7634H845	1
38	Grooved ball bearing 6201 LUZ	80410101	1	89	Rubber wheel	85000295	4
39	Retaining ring 32x1,2	80201351	1	90	Washer 10,5	80201380	5
40	Screw 5x50	80201436	4	91	Screw M10x16	80201166	1
41	Sealing washer	80200999	4	93	Spanner SW 8	80430044	1
42	Sealing bush 12x15x12,5	80420160	1	94	Face spanner	80430042	1
43	Pinion	76330125	1	95	Wrench SW 32	80430019	1
44	Retaining ring 10x1	80201305	1				
45	Parallel pin 5x12	80200574	2				
46	Gearbox housing	7633H400	1				
47	Felt ring 30x42x5	83000502	1				
48	Grooved ball bearing 6004 2RS	80410051	2				
49	Work spindle	76330420	1				